

### **CD1 Wire Rope Electric Hoist**



HUGO® can provide you the best range of CD1 Wire Rope Electric Hoists such as Monorail Hoist, Fixed Suspension Hoist, Three Phase CD1 Wire Rope Electric Hoist with effective & timely delivery. HUGO® hoist can be any meters as per you need. Such as 3 m 6 m 9m 12m etc.

CD1 Wire Rope Electric Hoist with trolley is a small lifting equipment, which can be installed on single girder, double girder, bridge crane, gantry crane, and other multiple cranes. The lifting speed can be single speed or double speed which can meet the needs of general occasions. CD1 Wire Rope Electric Hoist 1 ton of the commonly used lifting equipment in ports, warehouses and freight yards, which can improve labor efficiency and improve labor conditions.

**HUGO®**

[www.hugoforklift.com](http://www.hugoforklift.com)

**HUGO®**

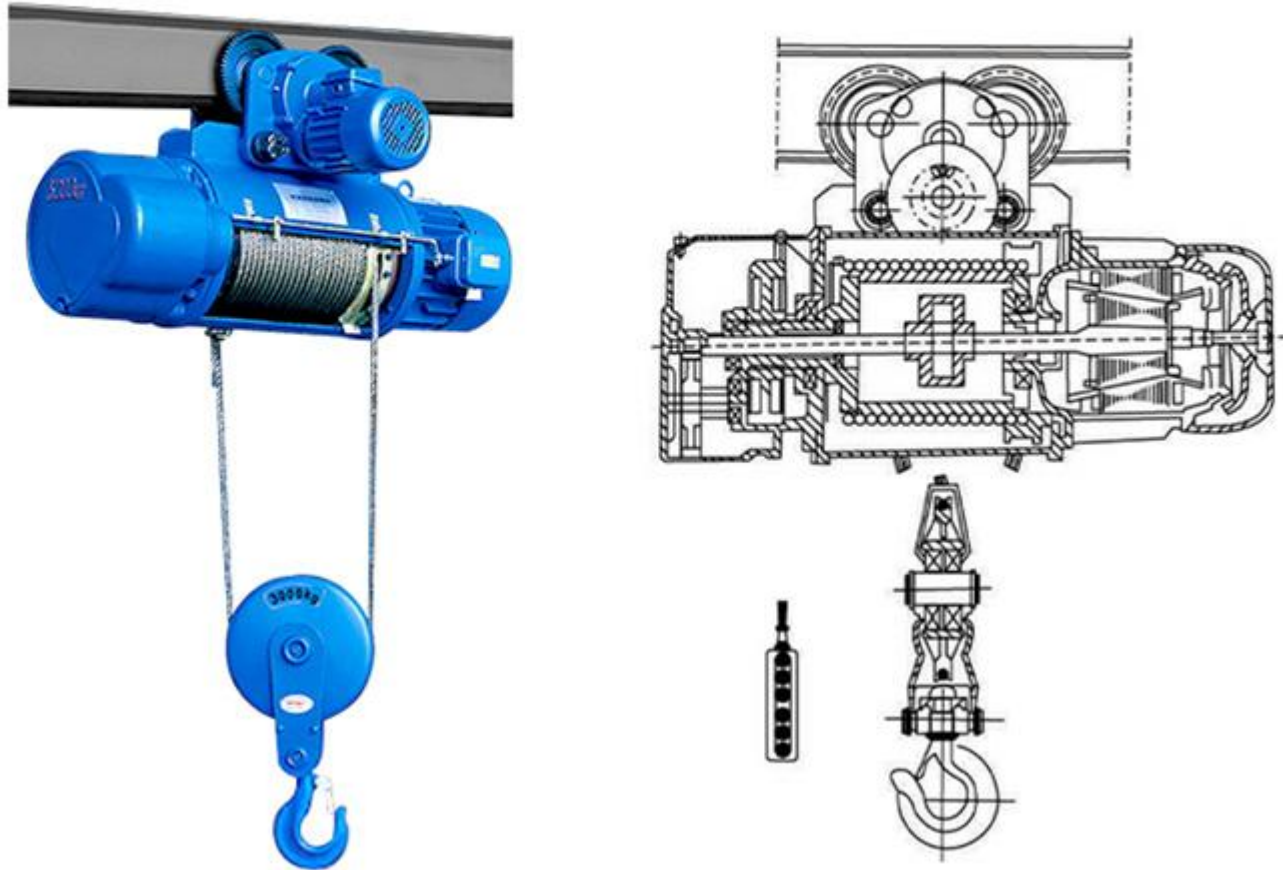
***CD1 WIRE ROPE  
ELECTRIC HOIST***

**30+** YEARS HOIST  
AND FORKLIFT EXPERIENCE



# PRODUCT PARAMETER

quality is everything



Product parameters

Model	0.5T	1T	2T	3T	5T	10T
Capacity	0.5	1	2	3	5	10
Lifting Height	6-12	6-30	6-30	6-30	6-30	9-30
Lifting speed	8.8/0.8	8.8/0.8	8.8/0.8	8.8/0.8	8.8/0.8	7.7/0.7
Moving speed	20(30)	20(30)	20(30)	20(30)	20(30)	20(30)
Model of wire rope	6*37-4.8-180	6*37-7.4-180	6*37-11-155	6*37-13-170	6*37-15-200	6*37-17.5-5200
I-beam track model	16-28b	16-28b	20s-32c	20a-32c	25a-63c	28a-63c
Operating voltage	3-Phase 220V-690V 50/60HZ					

**Product Details**

CD1 Wire Rope Electric Hoist 1 ton with Electric trolley Strong braking, stable operation, efficient and convenient.



HUGO® brand electric hoist using Motor Nanjing Nanjing General Plant PURE COPPER MOTOR.

The pure copper design has high rotation, large bearing power and strong heat dissipation.



Reducer The gear and gear shaft of the three-stage

Fixed-axis helical gear transmission mechanism are made of overheated alloy steel, and the assembly is tight which can ensure the CD1 Wire Rope Electric Hoist long life.



HUGO® electric hoist use High-quality steel wire rope, heavy-duty and stronger.





CD1 Wire Rope Electric Hoist have Limiter, It adopts a device that can cut off the line in an emergency and has an up and down stroke to protect the fire stopper device to ensure safe operation.



FLANGE REEL Effectively prevent the wire rope from being entangled in the two stages of the reducer and prevent the wire rope from being coiled randomly This is HUGO® CD1 Wire Rope Electric Hoist 1 ton special feature.



### HUGO® CD1 Wire Rope Electric Hoist with Manganese steel hook


After hot forging, it is not easy to break, the lower hook can be rotated. and there is a safety card to ensure safe use.

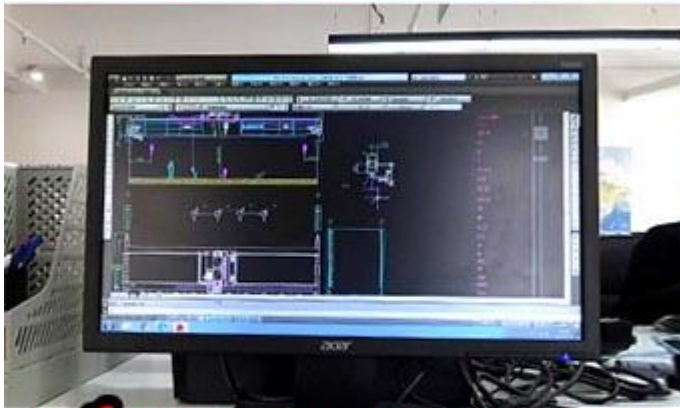
#### **Packaging and delivery**

Our CD1 Wire Rope Electric Hoist common pack with Standard fumigation-free export wooden box. And if quantity is large, all the box will packed with pallet, and The electric hoist packaged on the pallet can avoid damage caused by bumps during long-term transportation, and can also facilitate the loading and unloading of goods by customers.





 Overview



**NO.1** Professional Design Team



**NO.2** More Than 30 Years Experience



**NO.3** Standardized Management



**NO.4** Strict quality Inspection



**NO.5** Uniform Inspection Package



**NO.6** Standard Transport Process



**Our Service**

- 1.Pre-sale: provide technical support, support,custom LOGO, color, size
- 2.The sales process provides a full set of technical support, related product pictures, product certification, etc.

3. Provide relevant documents after sales, update logistics information in a timely manner, including transportation status, and free replacement parts and maintenance services due to product quality problems

**FAQ**

1. What is the CD1 Wire Rope Electric Hoist CD1 protection level  
IP44

2. What is the general level of work for CD1 Wire Rope Electric Hoist  
M3

3. CD1 2T6M lift speed 3 running speed 5 how to achieve

Yes, by frequency conversion (lifting motor plus a frequency conversion, set the speed as 3, running motor plus a frequency conversion, set the speed as 5)

4. How long is the warranty

Quality assurance 1 year. If the product broke within warranty you can contact us to change spare parts.

5. Does CD1 use oil before use? What kind of oil?

It is need to add oil. liquid gear oil and 17-500ml.

Detailed refueling instructions are given on page 14 of the manual.